

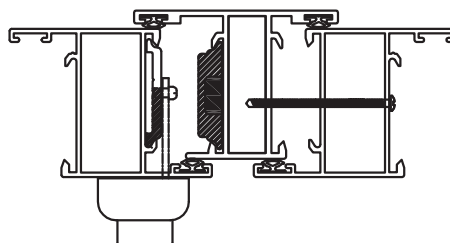
CODEVAL

SISTEMAS DE ALUMINIO

S. 40X20

S. 40X40

**VENTANAS PRACTICABLES
SIN ROTURA
DE PUENTE TERMICO**

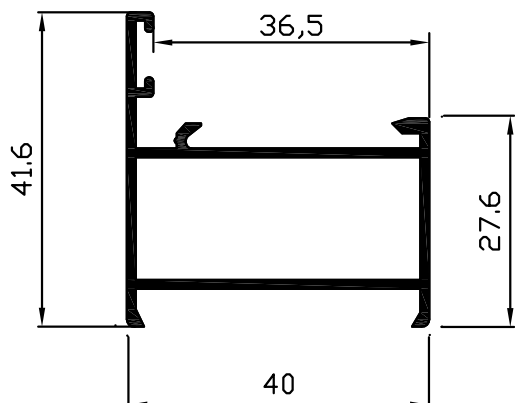


ENERO-2006

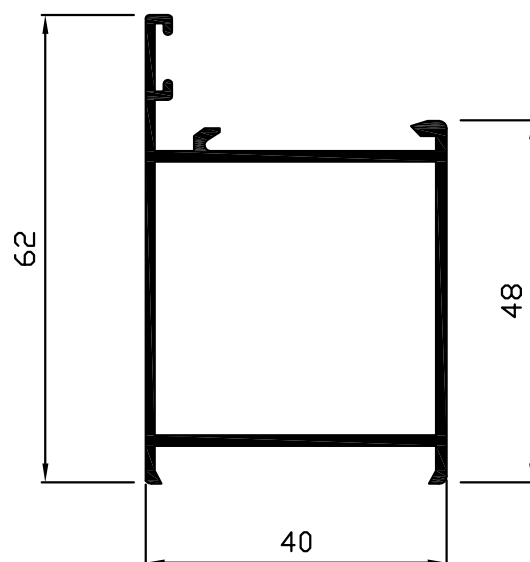
CODEVAL

Sistemas de perfiles
para ventanas, puertas,
fachadas e industriales.

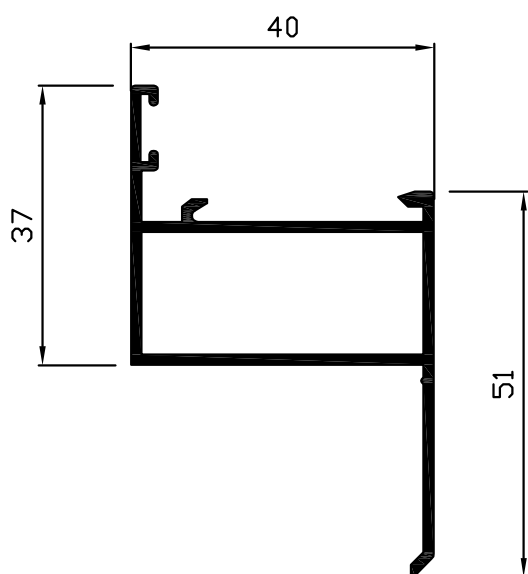
Marco ventana
Ref: 4201



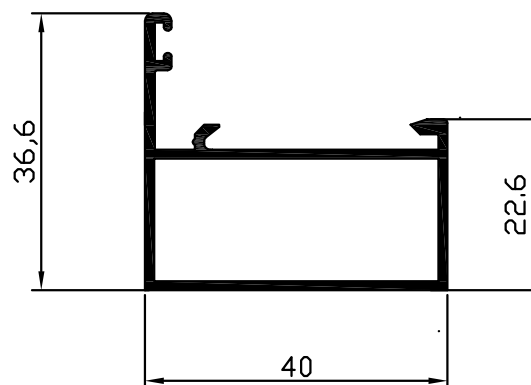
Marco puerta
Ref: 4401



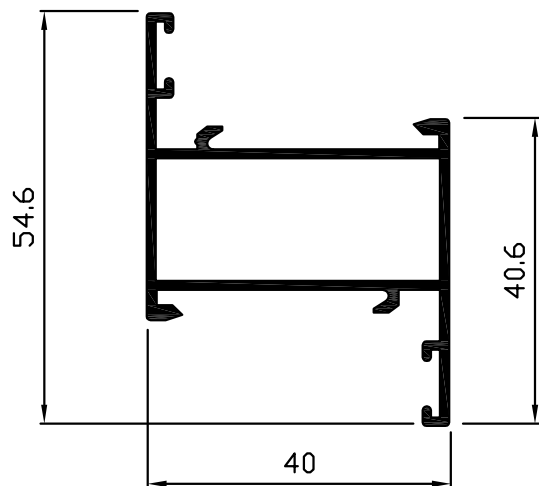
Marco ventana c. solape
Ref: 4221



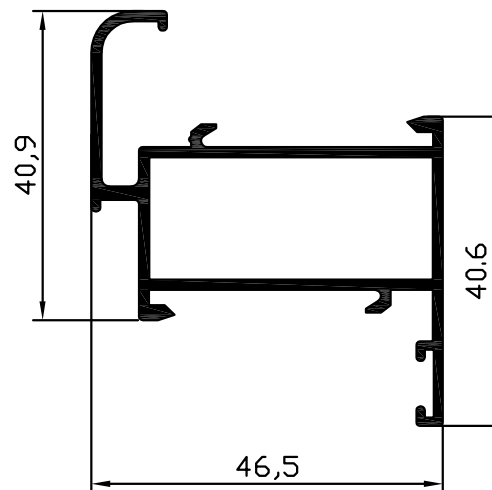
Marco ventana liso
Ref: 4231



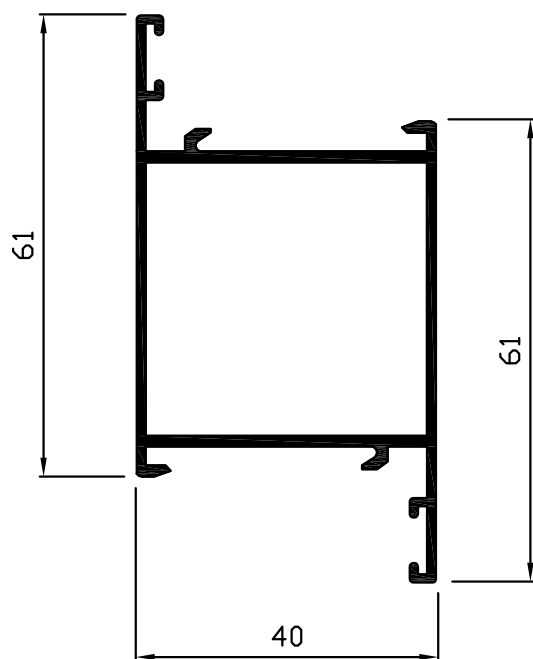
Hoja ventana
Ref: 4204



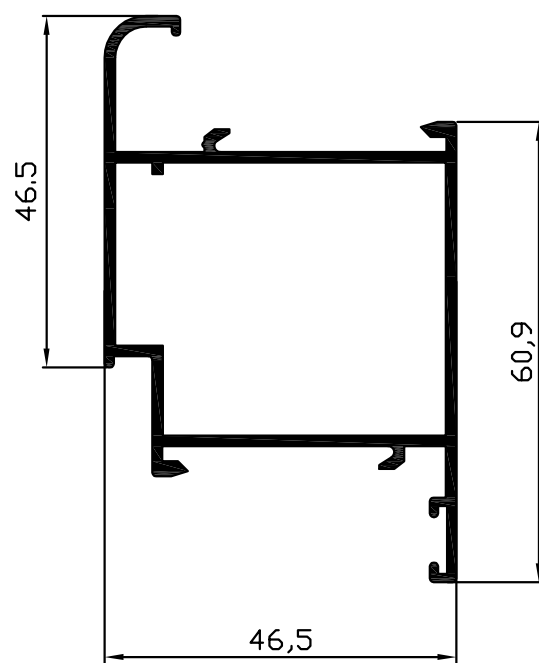
Hoja ventana curva
Ref: 4224



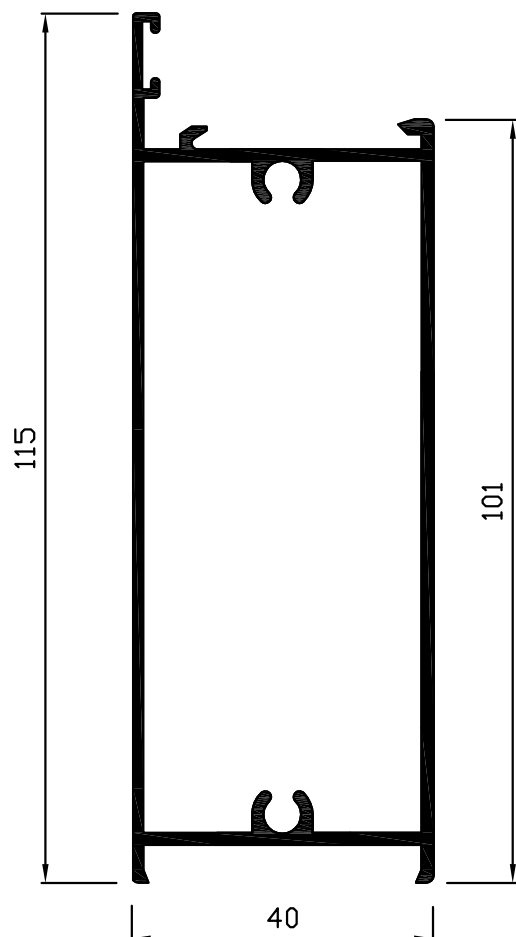
Hoja puerta
Ref: 4404



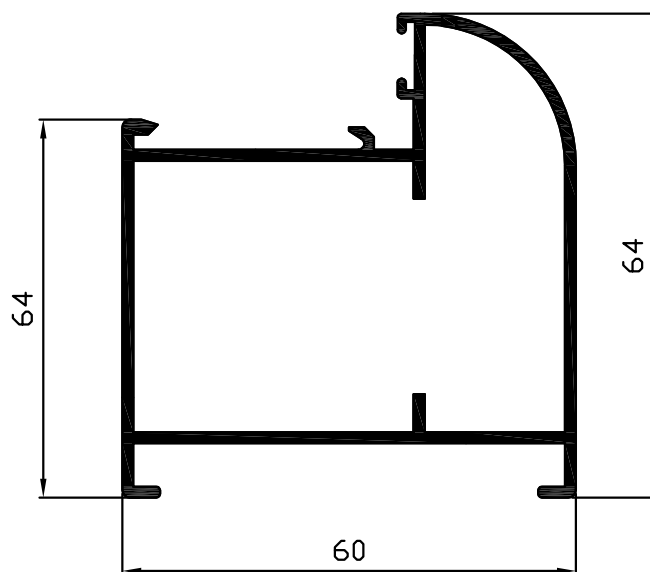
Hoja puerta curva
Ref: 4424



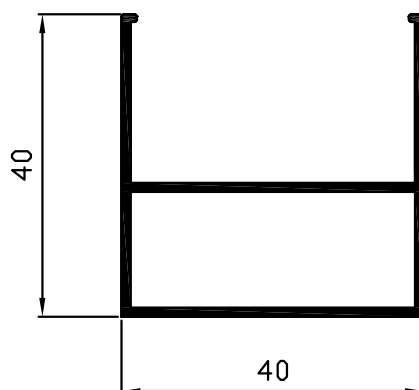
Marco zocalo
Ref: 4407



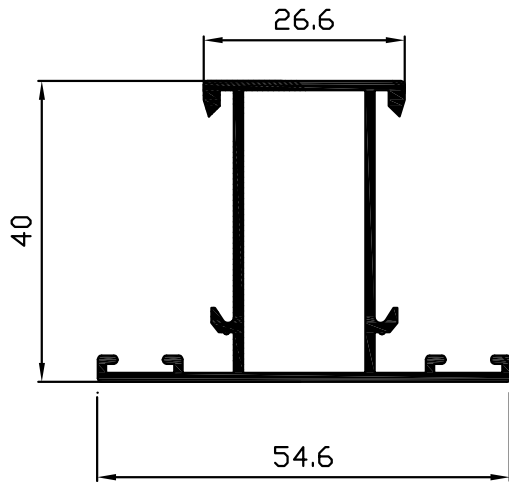
Marco escarpate
Ref: 4421



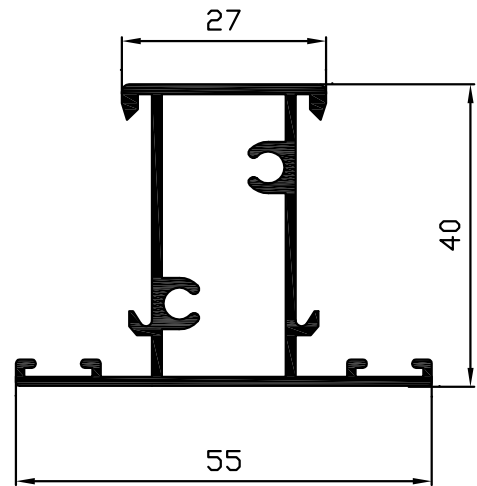
Rastrel
Ref: 2050



Travesaño ventana
Ref: 4208

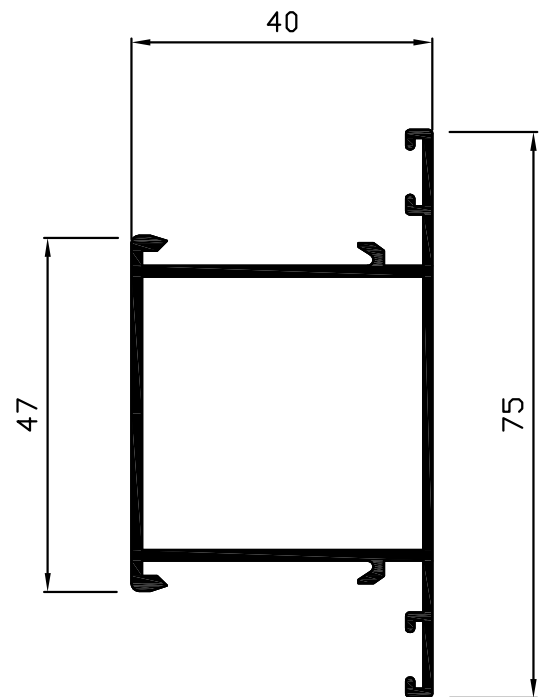
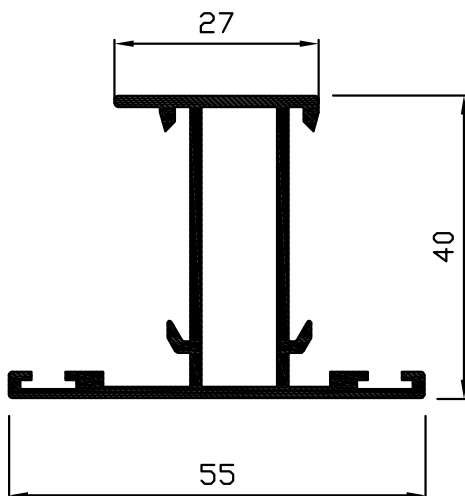


Travesaño autoroscante ventana
Ref: 4228

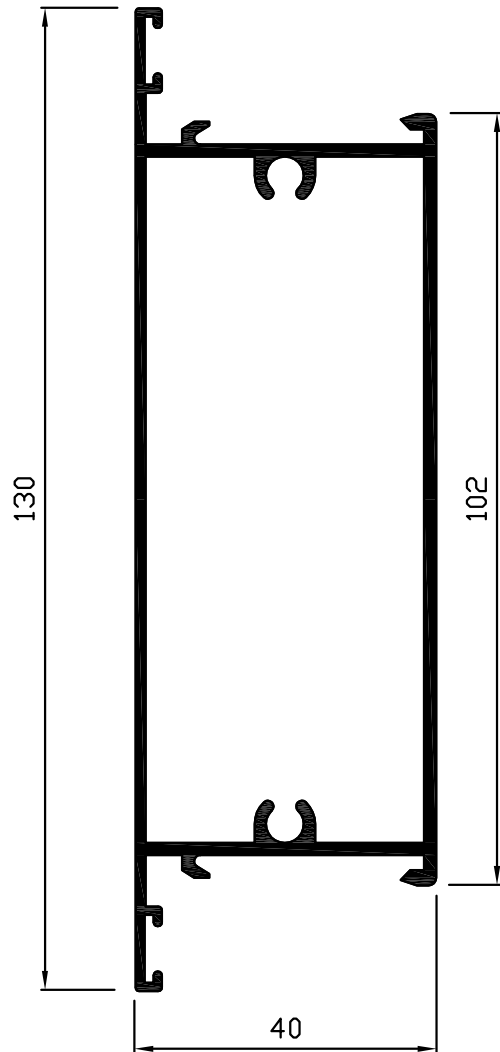


Travesaño puerta
Ref: 4408

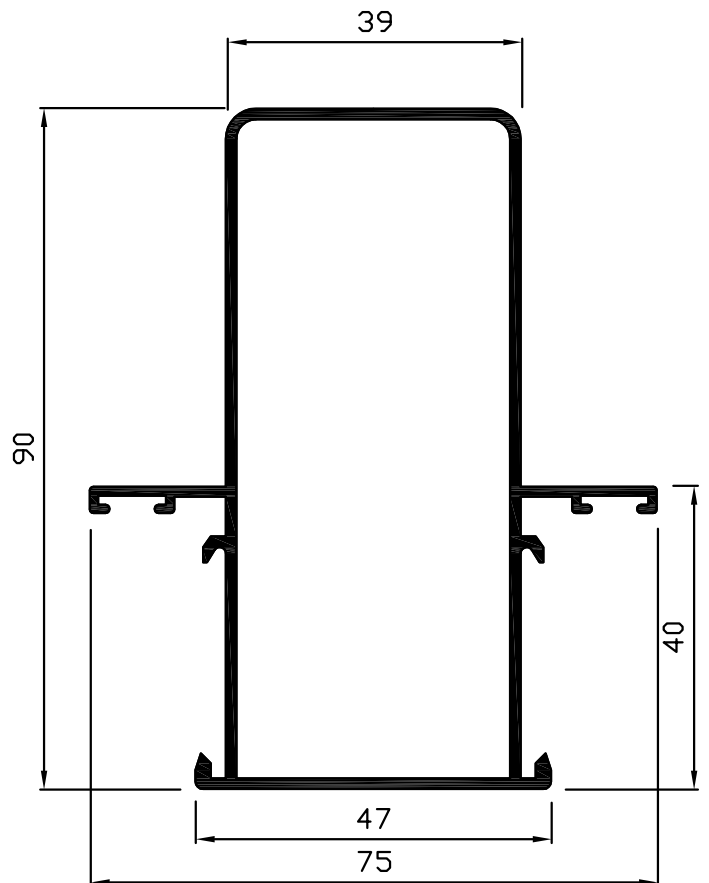
Inversor
Ref: 2006



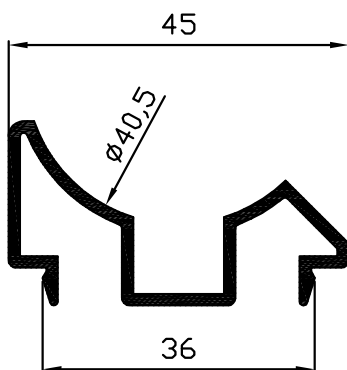
Travesaño zocalo
Ref: 4417



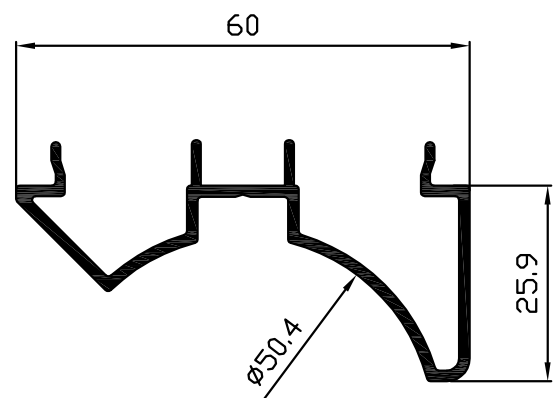
Travesaño reforzado
Ref: 4409



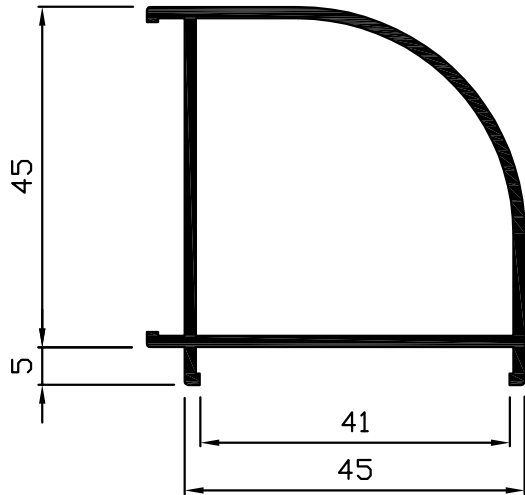
Esquinero graduable
Ref: 4320



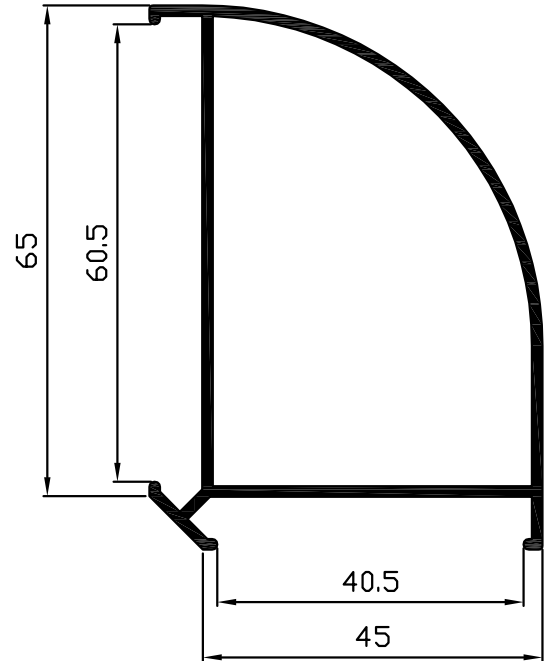
Esquinero regulable
Ref: 2224



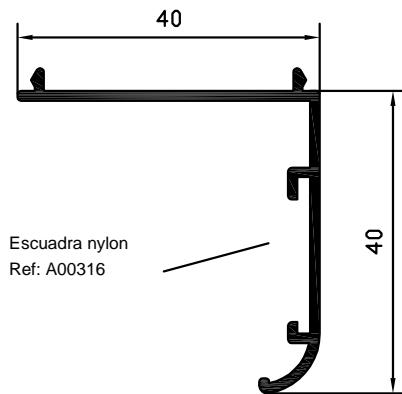
Esquinero 90°
Ref: 4321



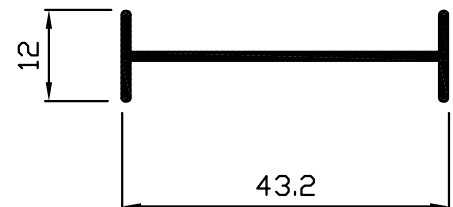
Esquinero 90° corredera-practicable
Ref: 2223



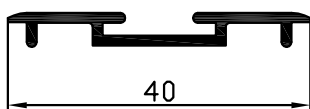
Solape 40 mm
Ref: 4340



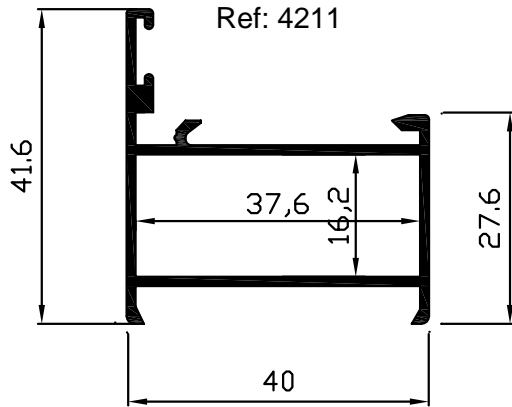
Union marcos praticables
Ref: 4311



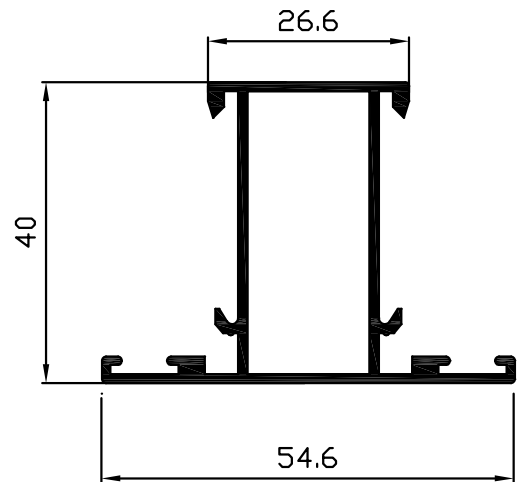
Clip vaiven
Ref: 4360



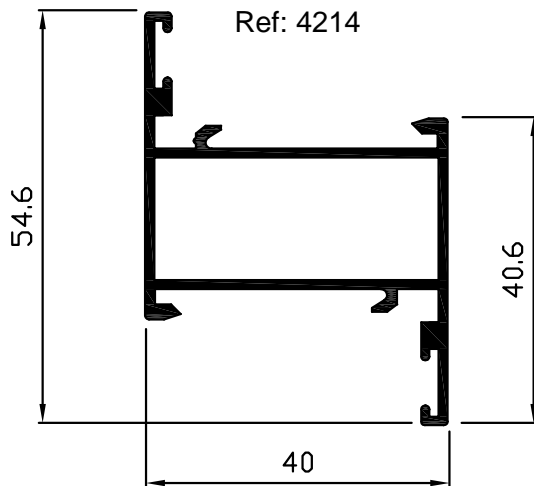
Marco ventana e=1.5 mm
Ref: 4211



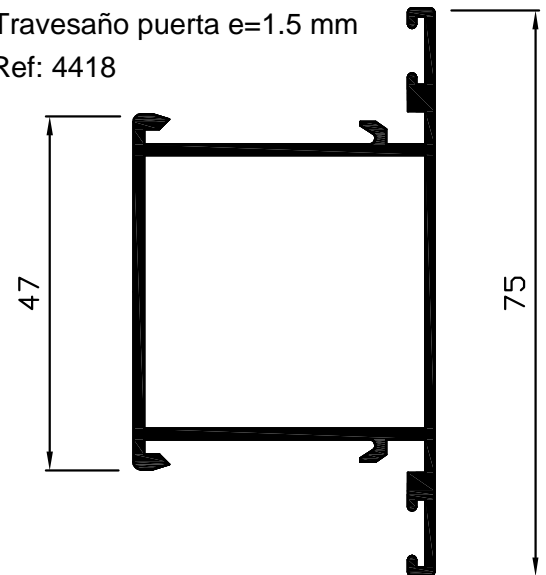
Travesaño ventana e=1.5 mm
Ref: 4218



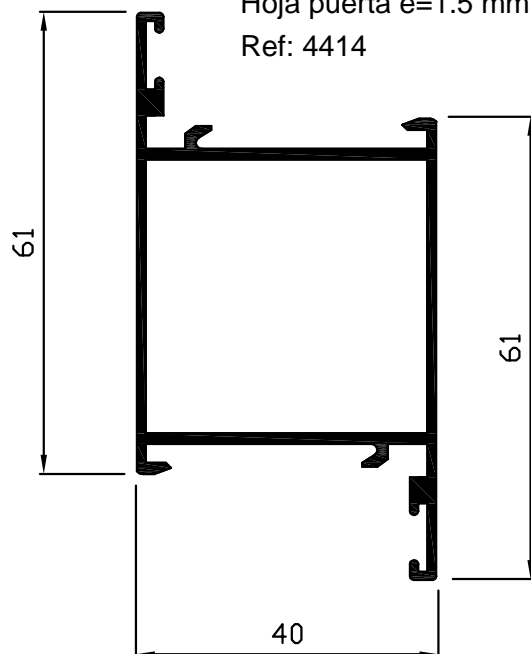
Hoja ventana e=1.5 mm
Ref: 4214



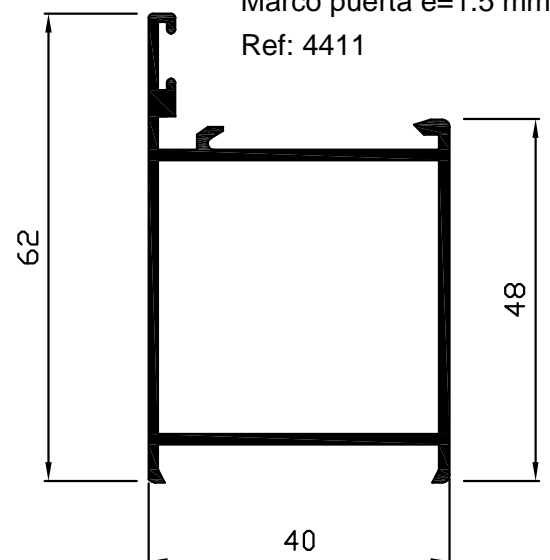
Travesaño puerta e=1.5 mm
Ref: 4418



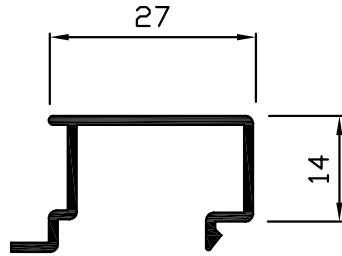
Hoja puerta e=1.5 mm
Ref: 4414



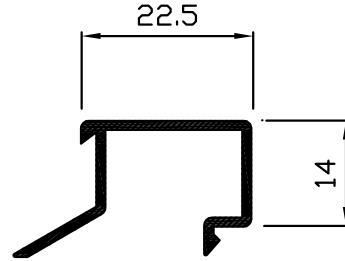
Marco puerta e=1.5 mm
Ref: 4411



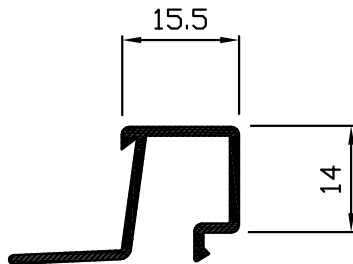
Junquillo hueco 9.5 mm
Ref: 4301



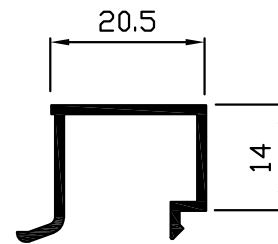
Junquillo hueco 14 mm
Ref: 4302



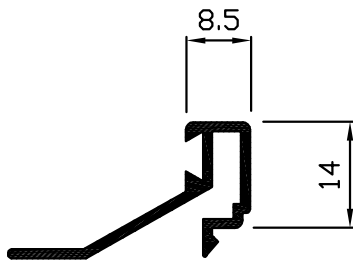
Junquillo hueco 21 mm
Ref: 4304



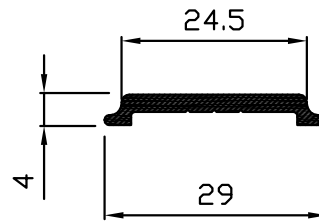
Junquillo hueco 16 mm
Ref: 4303



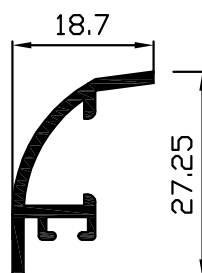
Junquillo hueco 28 mm
Ref: 4305

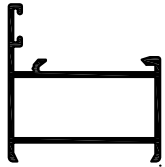
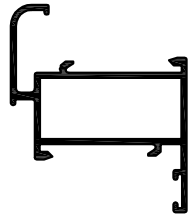
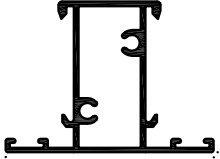
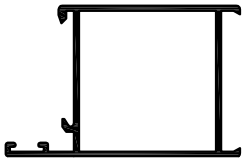
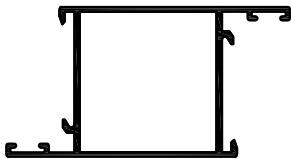
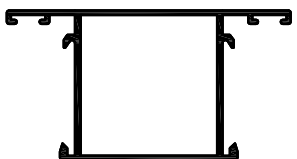
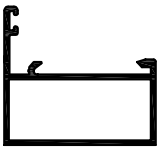
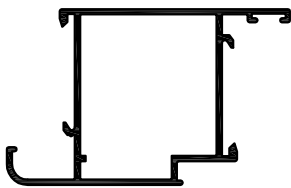
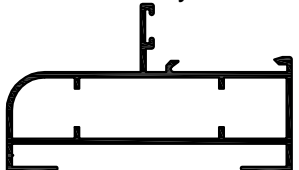
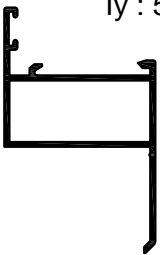
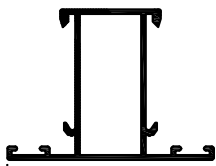
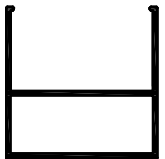
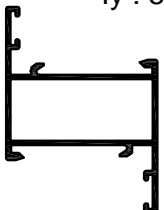
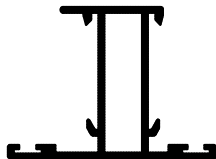
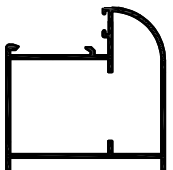



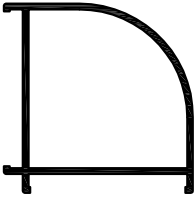


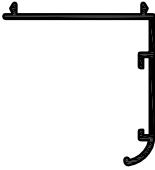
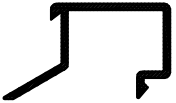
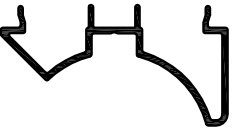



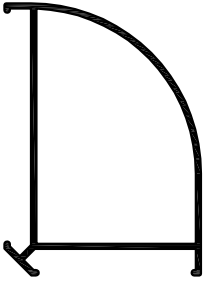

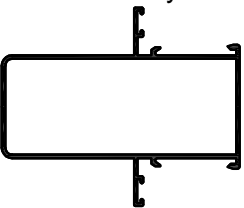

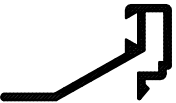
Pletina falleba 40x20
Ref: 2010



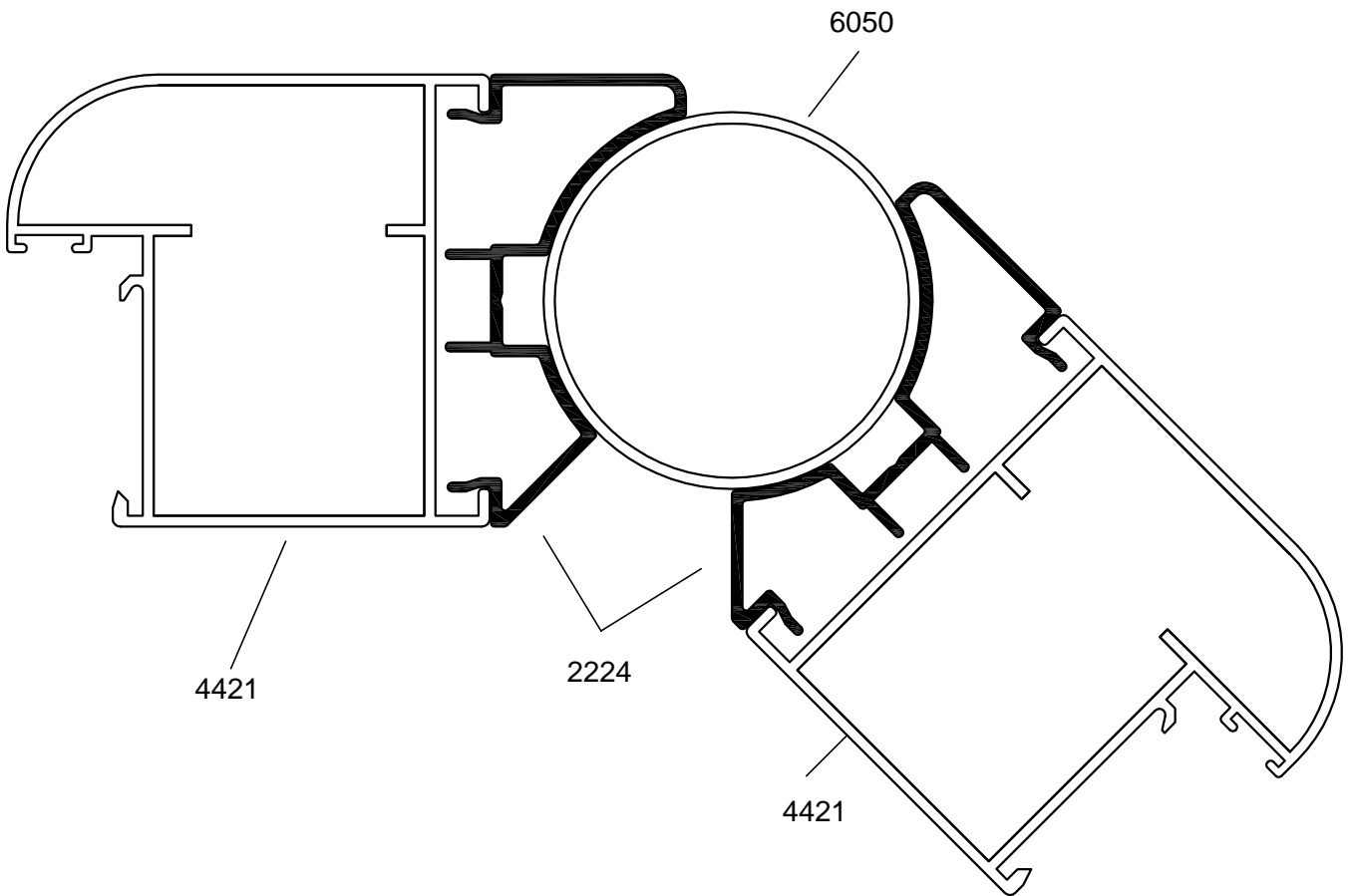
Vierteaguas
Ref: 4350



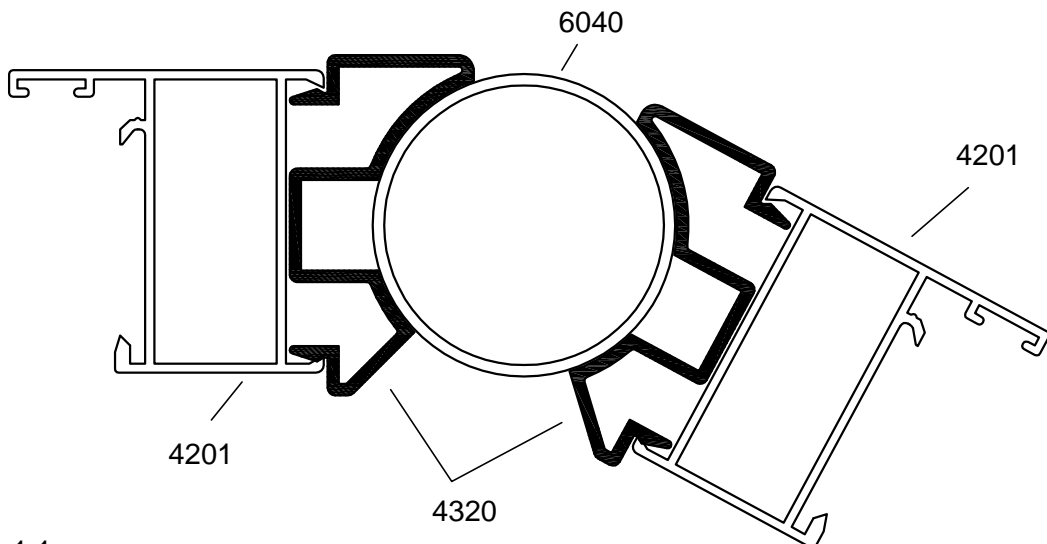
<p>Ref: 4201 $I_x : 2.23 \text{ cm}^4$ $I_y : 4.65 \text{ cm}^4$</p> 	<p>Ref: 4224 $I_x : 4.20 \text{ cm}^4$ $I_y : 8.06 \text{ cm}^4$</p> 	<p>Ref: 4228 $I_x : 5.87 \text{ cm}^4$ $I_y : 3.86 \text{ cm}^4$</p> 
<p>Ref: 4401 $I_x : 6.93 \text{ cm}^4$ $I_y : 8.77 \text{ cm}^4$</p> 	<p>Ref: 4404 $I_x : 10.8 \text{ cm}^4$ $I_y : 12.2 \text{ cm}^4$</p> 	<p>Ref: 4408 $I_x : 7.73 \text{ cm}^4$ $I_y : 11.8 \text{ cm}^4$</p> 
<p>Ref: 4231 $I_x : 1.89 \text{ cm}^4$ $I_y : 4.13 \text{ cm}^4$</p> 	<p>Ref: 4424 $I_x : 11.2 \text{ cm}^4$ $I_y : 13.1 \text{ cm}^4$</p> 	<p>Ref: 7511 $I_x : 4.48 \text{ cm}^4$ $I_y : 23.1 \text{ cm}^4$</p> 
<p>Ref: 4221 $I_x : 4.73 \text{ cm}^4$ $I_y : 5.98 \text{ cm}^4$</p> 	<p>Ref: 4208 $I_x : 5.32 \text{ cm}^4$ $I_y : 3.58 \text{ cm}^4$</p> 	<p>Ref: 2050</p> 
<p>Ref: 4204 $I_x : 3.59 \text{ cm}^4$ $I_y : 5.72 \text{ cm}^4$</p> 	<p>Ref: 2006 $I_x : 6.44 \text{ cm}^4$ $I_y : 3.86 \text{ cm}^4$</p> 	<p>Ref: 4421 $I_x : 15.4 \text{ cm}^4$ $I_y : 18.8 \text{ cm}^4$</p> 

<p>Ref: 4407 $I_x : 134 \text{ cm}^4$ $I_y : 66.2 \text{ cm}^4$</p> 	<p>Ref: 4321</p> 	<p>Ref: 4301</p> 
<p>Ref: 4320</p> 	<p>Ref: 4340</p> 	<p>Ref: 4302</p> 
<p>Ref: 2224</p> 	<p>Ref: 4311</p> 	<p>Ref: 4303</p> 
<p>Ref: 4417 $I_x : 145 \text{ cm}^4$ $I_y : 81.1 \text{ cm}^4$</p> 	<p>Ref: 2223</p> 	<p>Ref: 4304</p> 
<p>Ref: 4409 $I_x : 16.8 \text{ cm}^4$ $I_y : 39.8 \text{ cm}^4$</p> 	<p>Ref: 4360</p> 	<p>Ref: 4305</p> 

ESQUINERO GRADUABLE MARCO ESCAPARATE

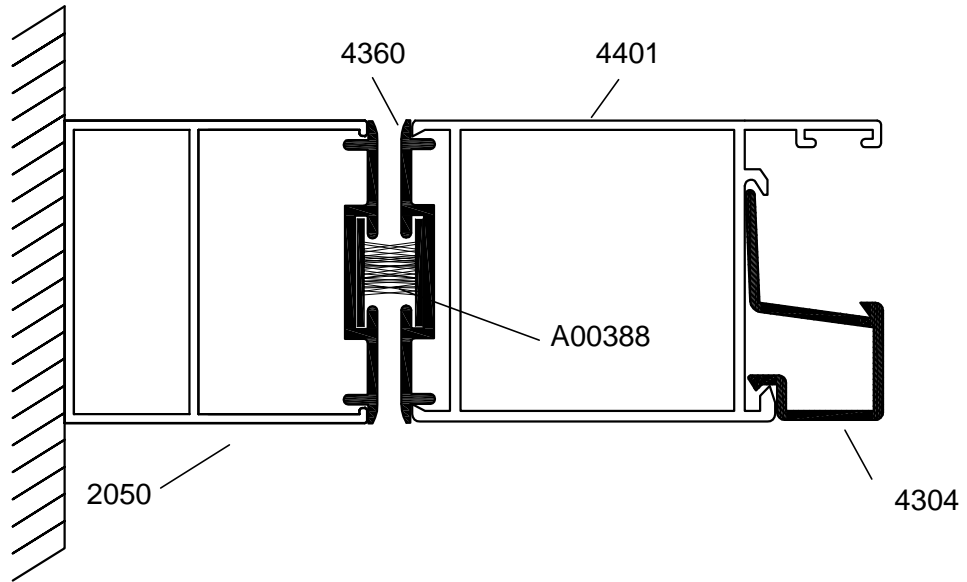


ESQUINERO GRADUABLE MARCO 40X20-40X40

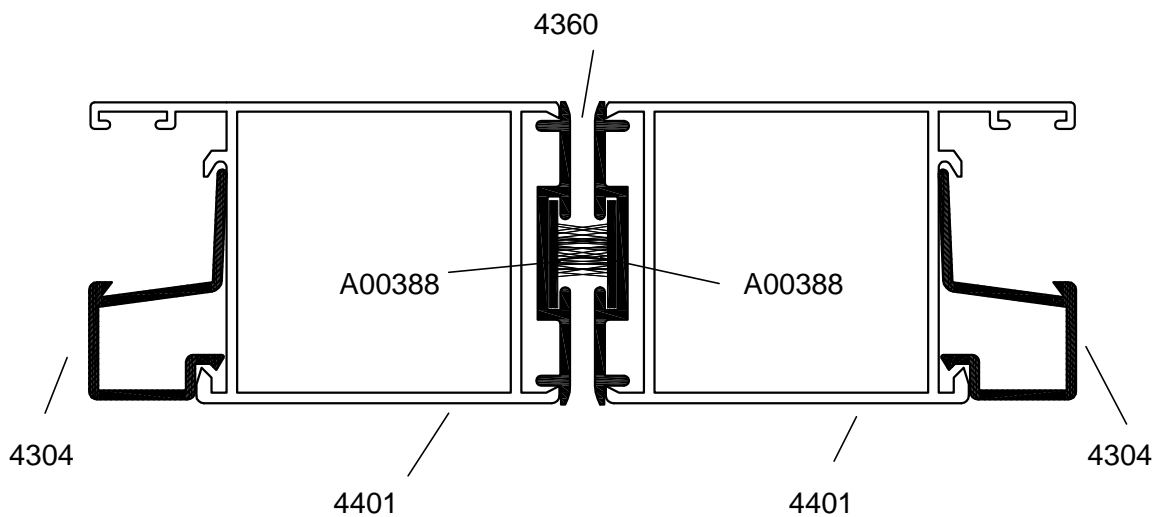


ESCALA 1:1

DETALLE MARCO-HOJA EN PARA PUERTA VAIVEN



DETALLE HOJA-HOJA EN PUERTA VAIVEN



ESCALA 1:1